

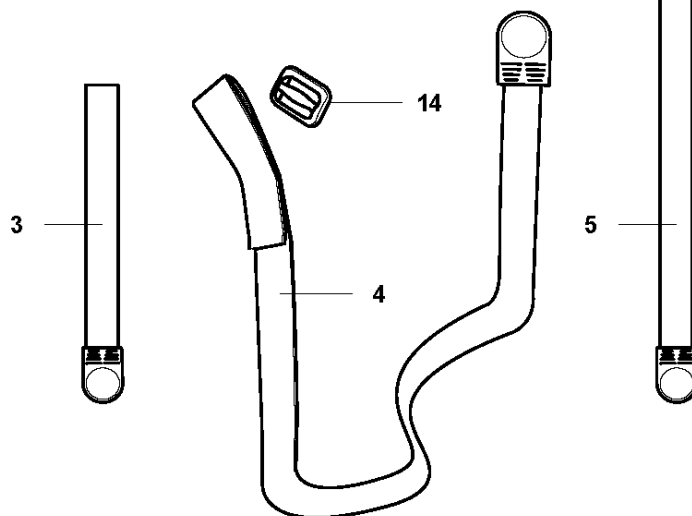
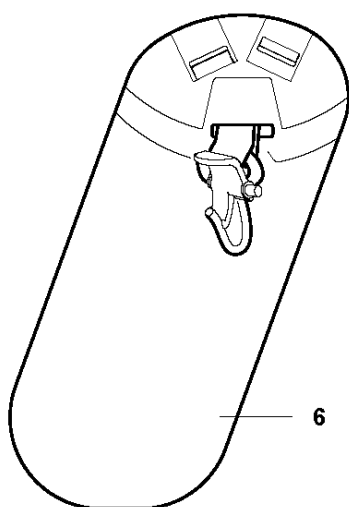
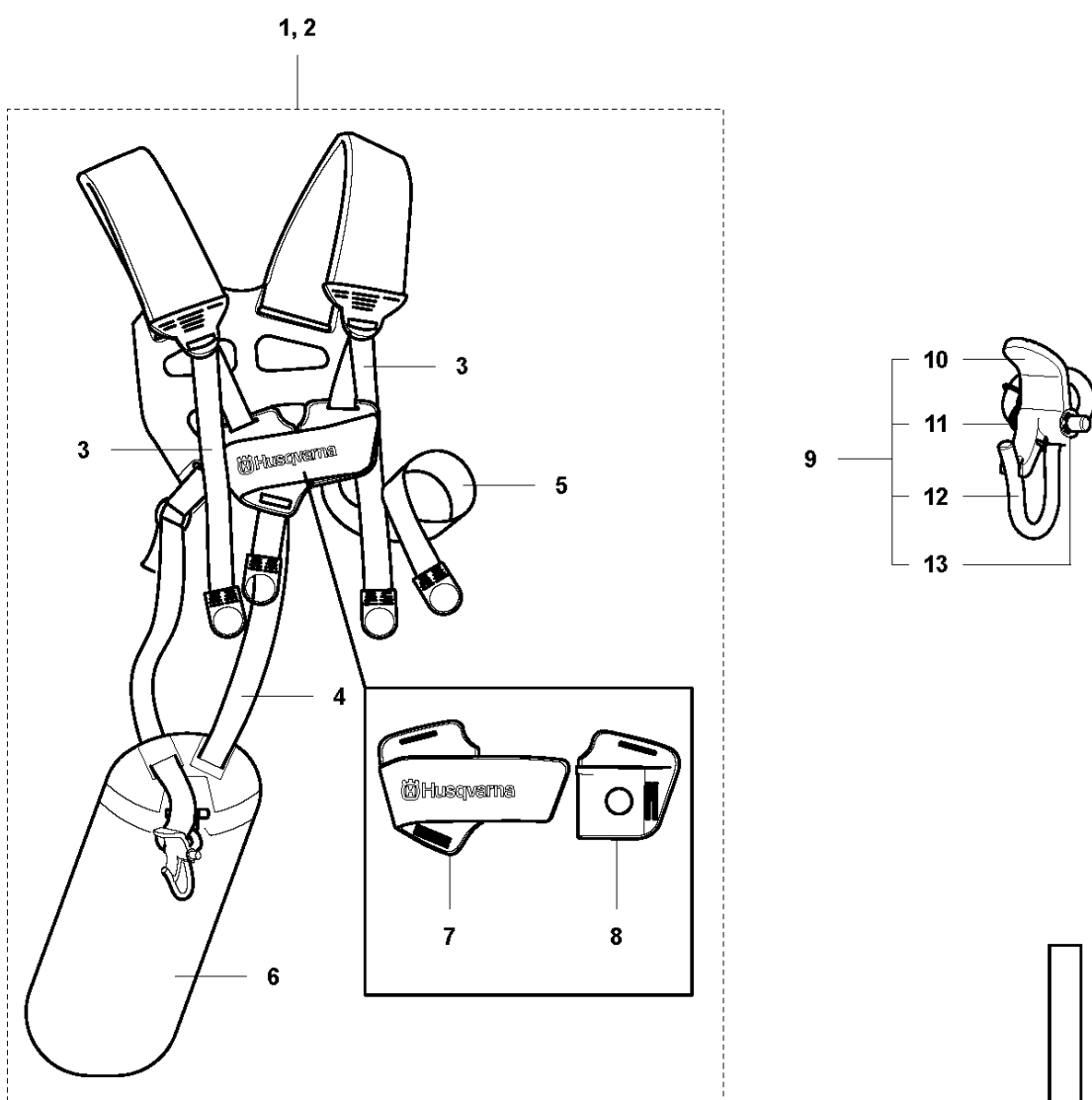


SPARE PARTS LIST

BRUSHCUTTERS/CLEARING SAWS

536 LiR, 2012-07

F2 536 LiR ACCESSORIES

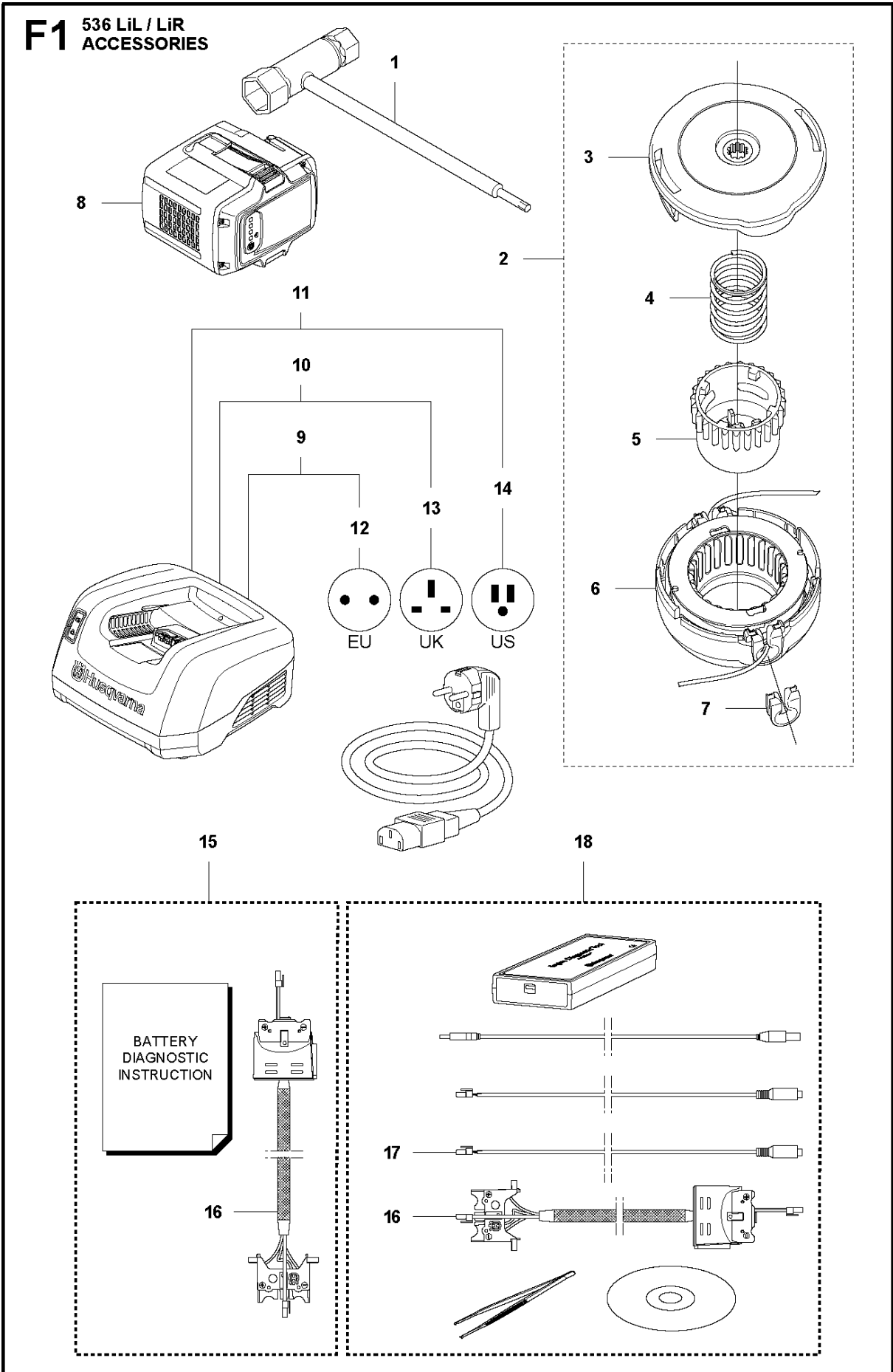


ACCESSORIES

536 LiR, 2012-07

Ref	Part no.	Description	Remark	Qty	Kit
1	537 27 57-05	HARNES		1	
2	537 27 57-06	HARNES	US ONLY	1	
3	503 99 61-01	BAND		1	
4	503 99 61-03	BAND		1	
5	503 99 61-02	BAND		1	
6	537 27 73-04	HIP PAD		1	
7	537 28 84-01	FRONT PIECE		1	
8	537 28 83-01	FRONT PIECE		1	
9	502 02 28-05	WELT HOOK		1	
10	502 02 30-02	LOCK		1	
11	502 02 38-01	SPRING		1	
12	502 02 29-02	HOOK		1	
13	735 31 09-20	E-CLIP		1	
14	537 28 70-01	BUCKLE		1	

F1 536 LiL / LiR
ACCESSORIES

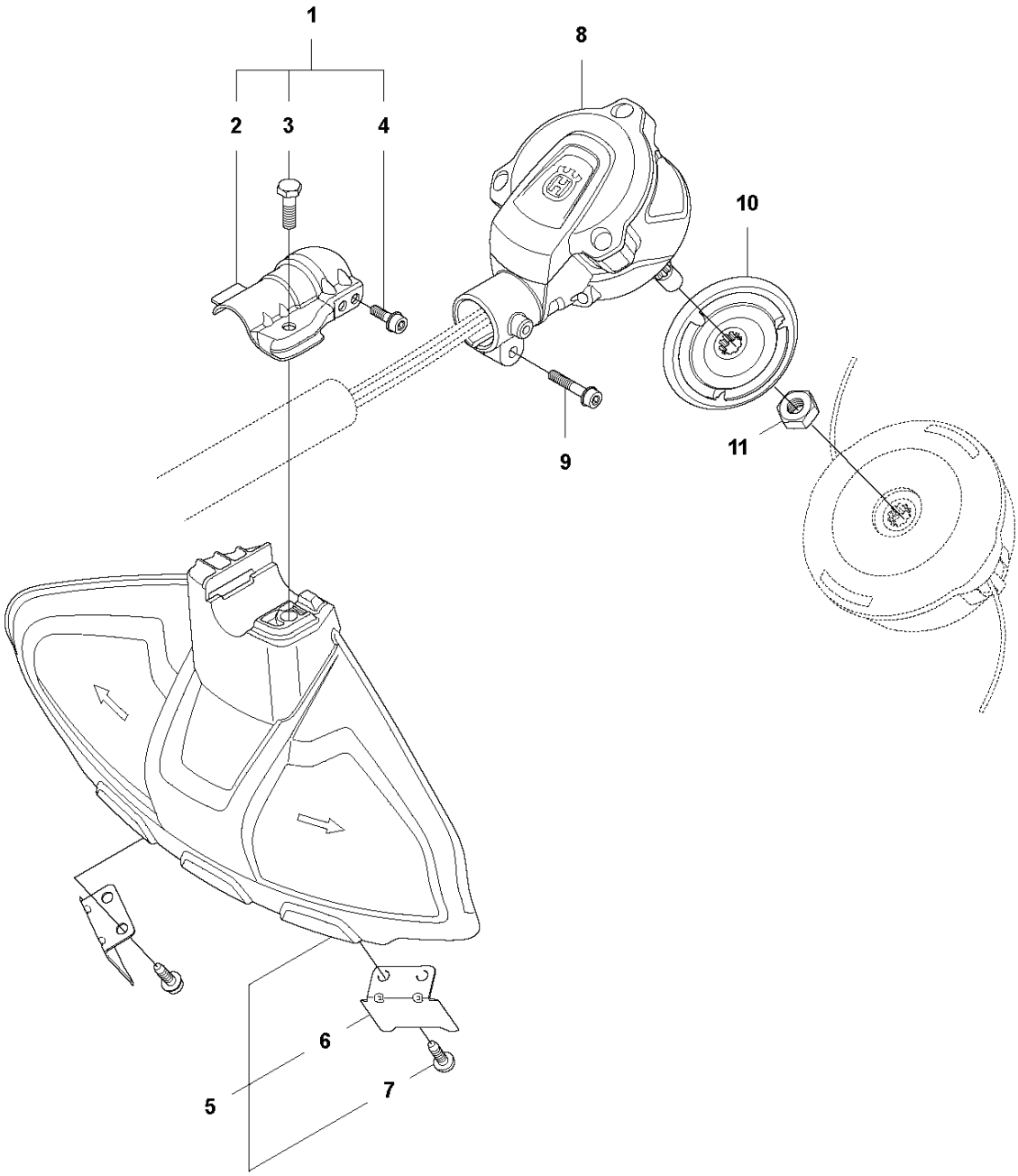


ACCESSORIES

536 LiR, 2012-07

Ref	Part no.	Description	Remark	Qty	Kit
1	501 68 89-01	SLEEVE TOOL		1	
2	579 29 40-01	TRIMMER HEAD		1	
3	578 19 68-01	HOUSING ASSY		1	2
4	577 05 03-01	SPRING		1	2
5	577 04 93-01	KNOB		1	2
6	578 19 69-01	COVER		1	2
7	501 33 04-01	GROMMET		2	
8	966 73 02-01	BATTERY		1	
8	966 73 03-01	BATTERY		1	
9	966 73 06-01	BATTERY CHARGER		1	
9	966 73 05-01	BATTERY CHARGER		1	
10	966 73 06-02	BATTERY CHARGER		1	
10	966 73 05-02	BATTERY CHARGER		1	
11	966 73 06-03	BATTERY CHARGER		1	
11	966 73 05-03	BATTERY CHARGER		1	
12	578 08 19-01	MAINS CABLE		1	9
13	579 13 06-01	MAINS CABLE		1	10
14	579 13 04-01	MAINS CABLE		1	11
15	581 19 23-01	DIAGNOSTIC TOOL		1	
16	579 62 13-01	WIRING ASSY		1	9, 18
17	576 95 22-01	CABLE ASSY		1	18
18	583 89 71-01	DIAGNOSTIC TOOL KIT		1	

A 536 LiL / LiR
CUTTING

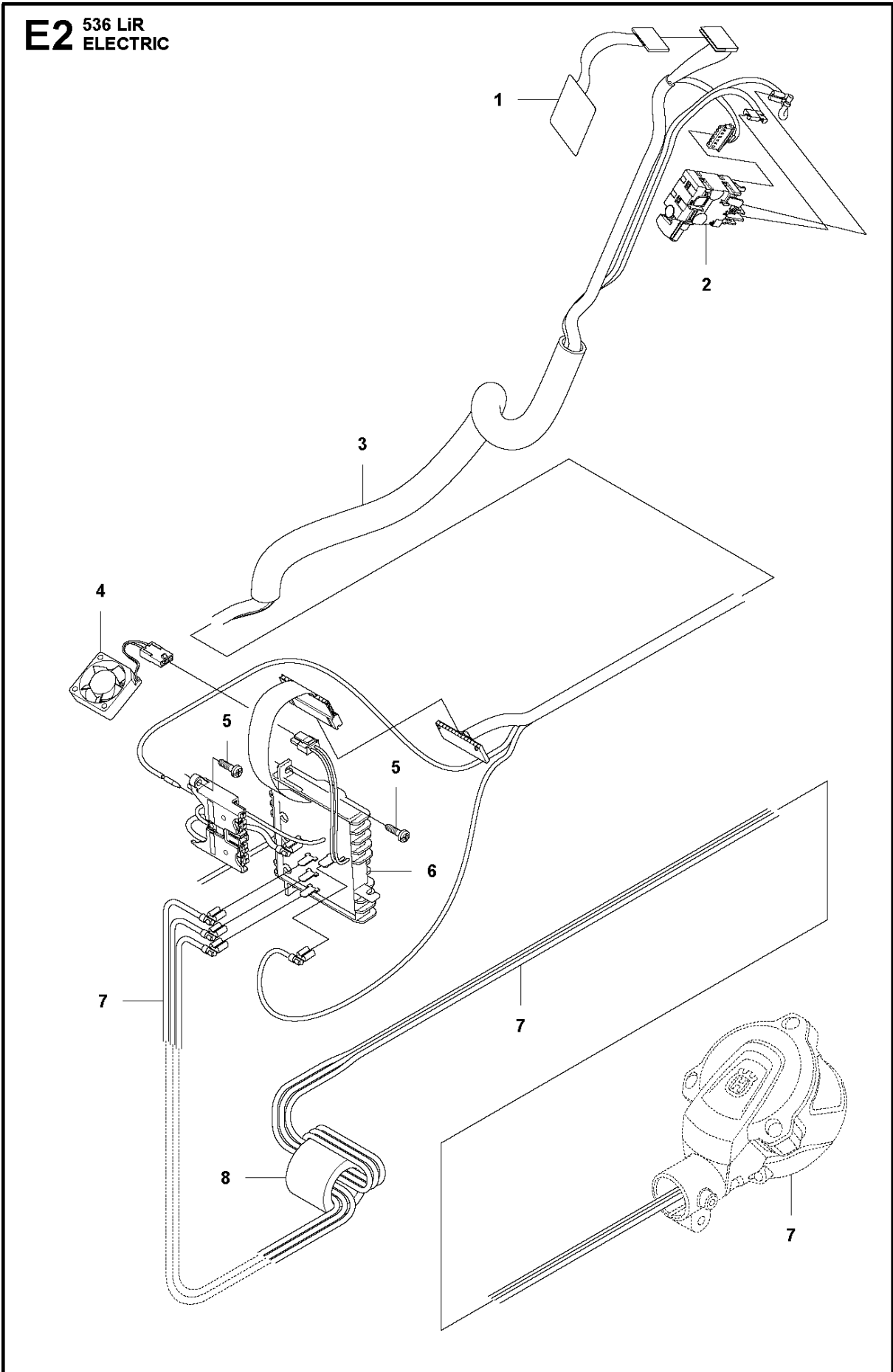


CUTTING EQUIPMENT

536 LiR, 2012-07

Ref	Part no.	Description	Remark	Qty	Kit
1	574 30 69-01	CLAMP		1	
2	503 93 55-01	CLAMP.GUARD		1	1
3	725 23 70-71	SCREW EHHM		1	1
4	503 20 14-12	SCREW IHSCFMO		1	1
5	577 01 83-01	TRIMMER SHIELD ASSY		1	
6	574 52 34-01	KNIFE		2	5
7	503 21 07-16	SCREW IHSCFT		4	5
8	577 02 21-01	MOTOR ASSY		1	
9	503 20 07-78	SCREW IHSCFM		1	
10	577 01 90-01	DRIVER ASSY		1	
11	578 78 93-01	NUT		1	

E2 536 LiR
ELECTRIC

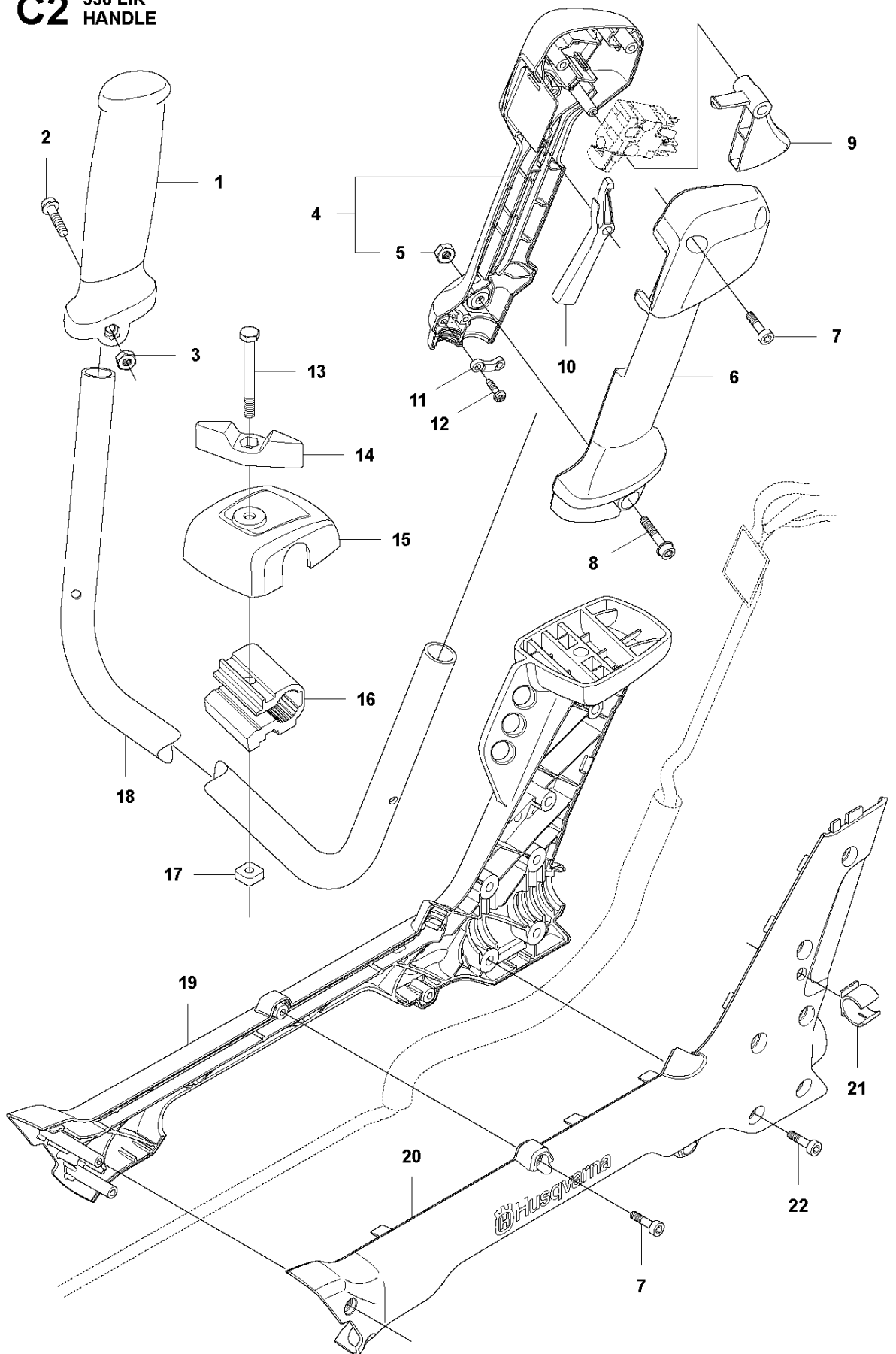


ELECTRICAL

536 LiR, 2012-07

Ref	Part no.	Description	Remark	Qty	Kit
1	579 72 51-01	KEY PAD		1	
2	577 03 38-01	TRIGGER SWITCH		1	
3	577 98 35-01	WIRING ASSY		1	
4	577 86 37-01	FAN		1	
5	503 21 28-13	SCREW CCRPANT		4	
6	578 40 09-01	CONTROL UNIT		1	
7	577 02 21-01	MOTOR ASSY		1	
8	577 97 66-01	FERRITE CORE		1	

C2 536 LiR
HANDLE

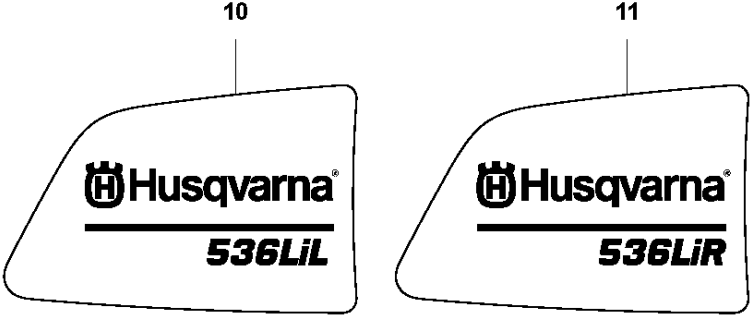
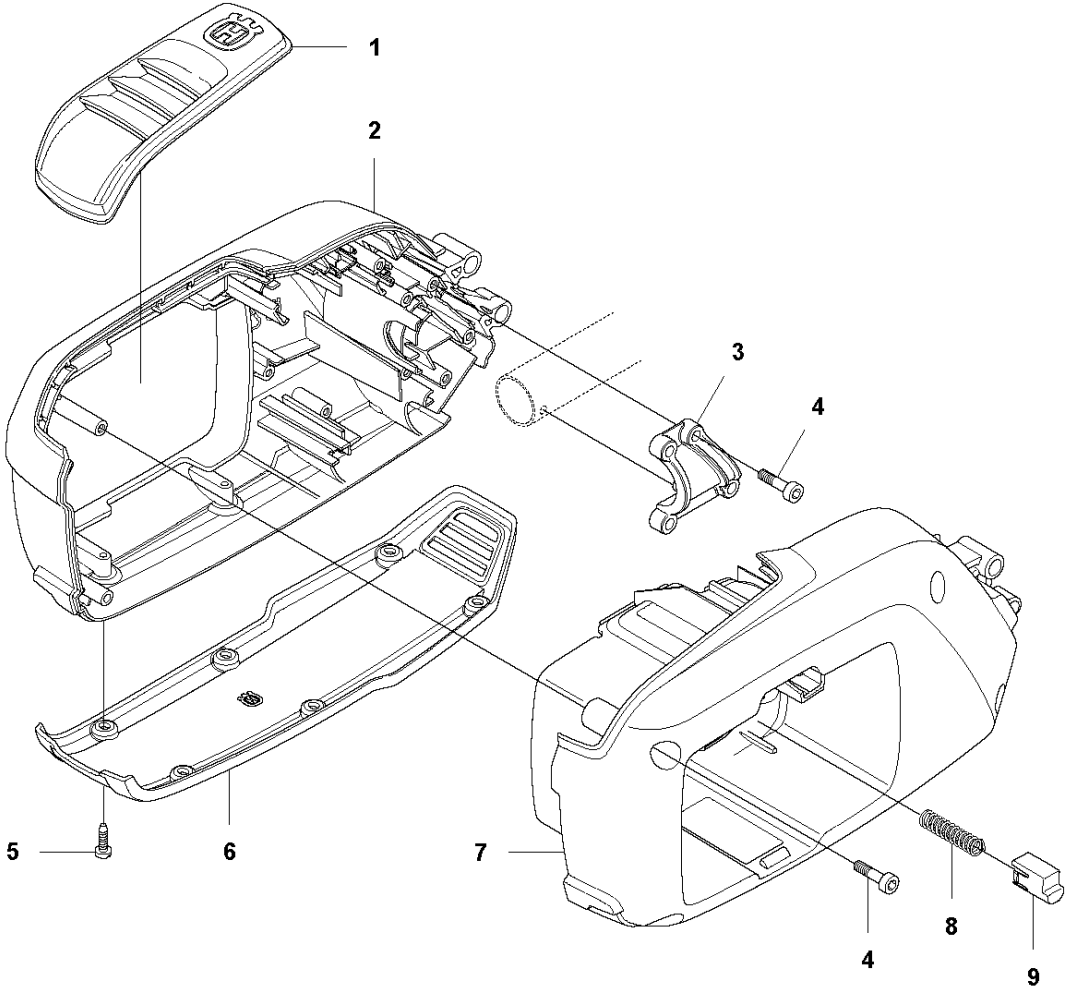


HANDLE

536 LiR, 2012-07

Ref	Part no.	Description	Remark	Qty	Kit
1	537 17 28-02	HANDLE		1	
2	503 20 02-45	SCREW IHSCFM		1	
3	731 23 14-01	HEXAGON NUT		1	
4	579 32 38-01	HANDLE HALF		1	
5	731 23 14-01	HEXAGON NUT		1	
6	577 18 35-01	HANDLE HALF RIGHT		1	
7	503 21 66-74	SCREW IHST		7	
8	503 20 07-35	SCREW IHSCFM		1	
9	577 18 37-01	THROTTLE CONTROL		1	
10	577 22 37-01	THROTTLE LOCKOUT		1	
11	577 88 34-01	FASTENER		2	
12	503 21 28-13	SCREW CCRPANT		4	
13	725 23 84-81	SCREW EHHM		1	
14	502 20 38-01	KNOB		1	
15	576 22 01-01	COVER HANDLE BAR		1	
16	544 02 09-01	CLIP		1	
17	502 19 71-01	SQUARE NUT		1	
18	537 36 00-02	HANDLEBAR		1	
19	577 24 53-01	WEAR PROTECTION		1	
20	577 18 39-01	WEAR PROTECTION		1	
21	578 12 79-01	CLIP		1	
22	503 20 07-78	SCREW IHSCFM		6	

D 536 LiL / LiR
BATTERY HOUSING

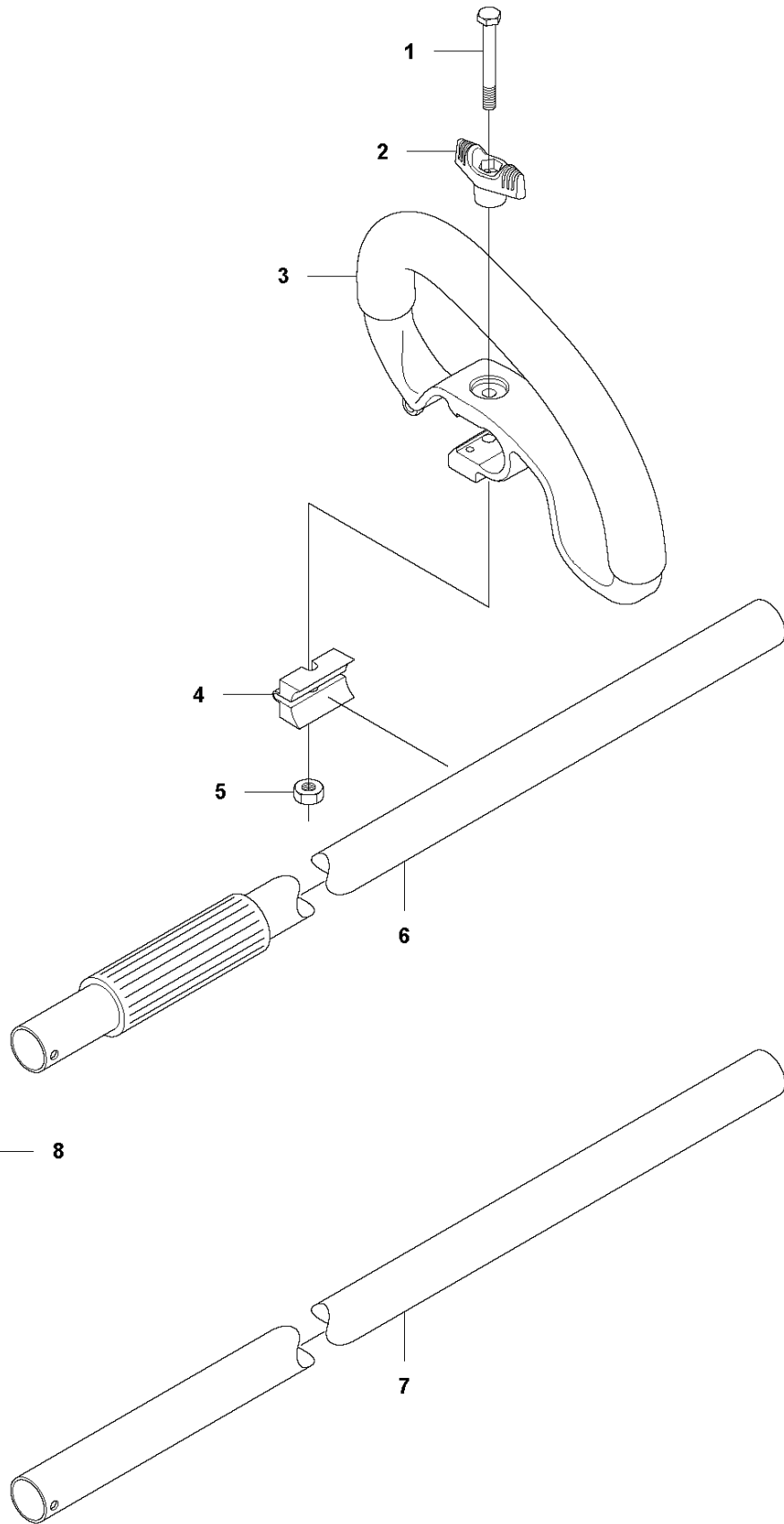


HOUSING

536 LiR, 2012-07

Ref	Part no.	Description	Remark	Qty	Kit
1	577 01 41-01	COVER		1	
2	577 00 76-01	HOUSING LEFT		1	
3	577 02 22-01	CLAMP		1	
4	503 21 66-74	SCREW IH SCT		8	
5	503 21 28-13	SCREW CCRPANT		6	
6	577 01 42-01	SKID PLATE		1	
7	577 01 30-01	HOUSING RIGHT		1	
8	577 99 65-01	SPRING		1	
9	577 99 66-01	PUSH BUTTON		1	
10	579 00 62-02	DECAL	536 LiL only	1	
11	579 00 62-03	DECAL	536 LiR only	1	

B 536 LiL / LiR
TUBE



A vertical rectangular plate containing safety and technical information. From top to bottom, it features:

- Three warning icons: a triangle with an exclamation mark, a book, and a fan. Below them is the text "max 6000rpm".
- Three safety icons: safety glasses, gloves, and boots.
- A warning triangle with a hand and a rotating part, with the text "EN 1082-2".
- A circular icon showing a person with a distance of 16m marked on both sides, with the text "16 m SOFT" and "16 m SOFT".
- Three circular icons with diagonal lines through them, representing prohibited actions.
- The text "ON1485".
- The text "EUROPE" above the CE mark and a sound power level icon.
- The text "98dB".
- The text "EAC" with a circular icon.
- A downward-pointing arrow at the bottom.

Ref	Part no.	Description	Remark	Qty	Kit
1	725 23 80-51	SCREW EHHM		1	
2	503 87 90-01	KNOB		1	
3	503 87 19-06	HANDLE		1	
4	503 94 03-01	DISTANCE.HANDLE		1	
5	502 19 71-01	SQUARE NUT		1	
6	579 63 78-02	TUBE		1	
7	577 06 14-01	TUBE		1	
8	579 00 88-02	DECAL		1	